

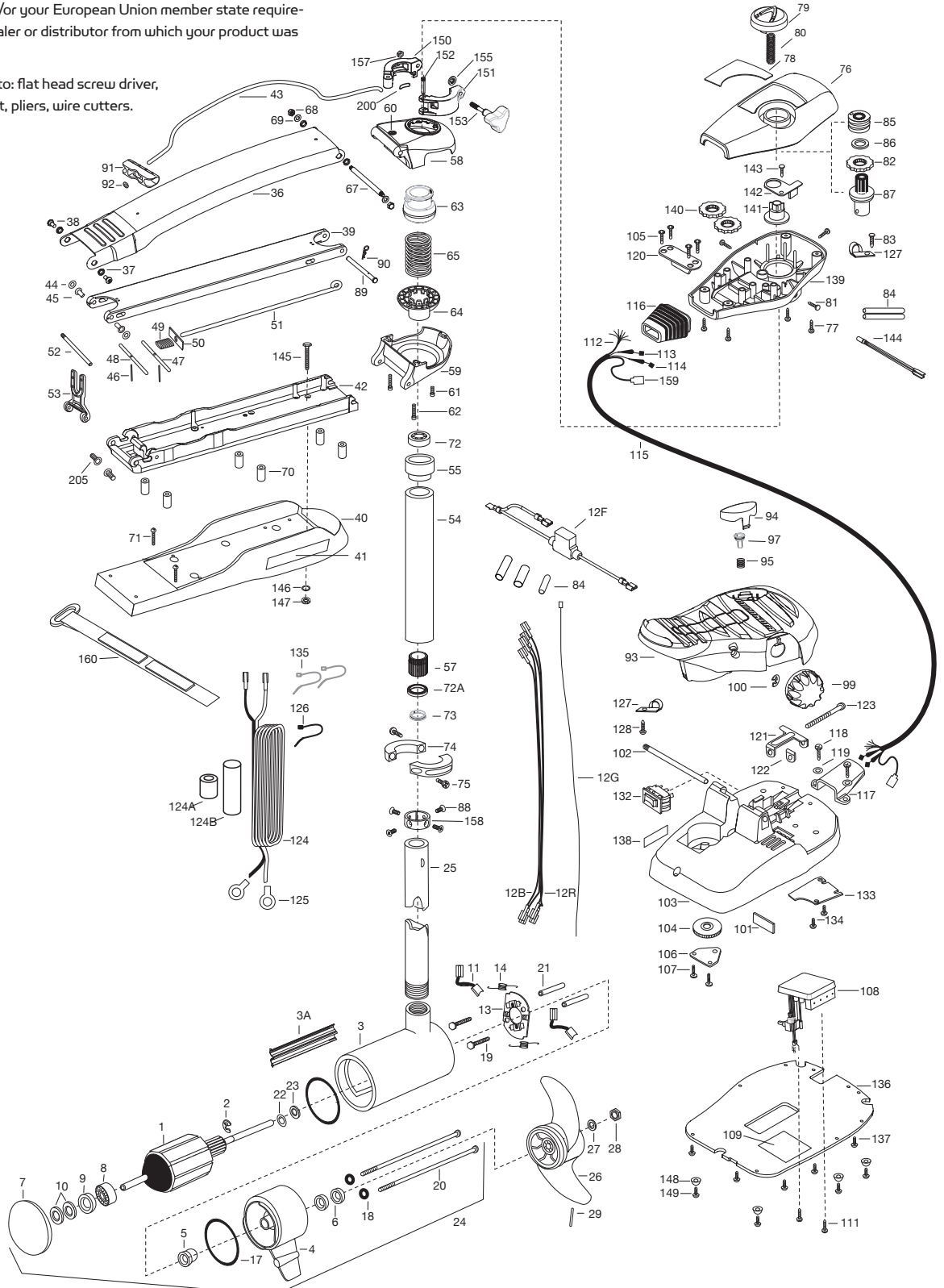
PARTS DIAGRAM

MAXXUM 80

80 LBS THRUST - 24 VOLT - 48"/52"/62" SHAFT

This page provides Minn Kota® WEEE compliance disassembly instructions. For more information about where you should dispose of your waste equipment for recycling and recovery and/or your European Union member state requirements, please contact your dealer or distributor from which your product was purchased.

Tools required, but not limited to: flat head screw driver, Phillips screw driver, socket set, pliers, wire cutters.



PARTS LIST

MAXXUM 80

80 LBS THRUST - 24 VOLT - 48"/52"/62" SHAFT

ITEM	QTY	PART NUMBER	DESCRIPTION
1	1	2-100-214	ARMATURE ASSEMBLY 24V
2	1	788-040	RETAINING RING
3	1	431-160	HOUSING ASSEMBLY CENTER 4.0
3A	1	582-013	CLIP, RETAINING, US2
4	1	2-300-160	BRUSH END HOUSING ASSEMBLY
5	1	144-017	BEARING- FLANGE (SERVICE ONLY)
6	2	880-025	SEAL
7	1	421-276	PLAIN END HOUSING ASSEMBLY
	1	9421-285	PLAIN END HOUSING ASSEMBLY US2 52"
	1	9421-286	PLAIN END HOUSING ASSEMBLY US2 62"
8	1	140-010	BALL BEARING
9	1	990-045	THRUST WASHER
10	2	992-010	SPRING WASHER
11	2	186-094	BRUSH
12B	1	640-024	LEADWIRE-BLACK 10 AWG 79"
12R	1	640-131	LEADWIRE-RED 10 AWG 80 1/2"
12G	1	640-316	GROUND WIRE 52" (US MOTORS ONLY)
	1	640-317	GROUND WIRE 62" (US MOTORS ONLY)
12F	1	2218200	FUSE HOLDER (US MOTORS ONLY)
13	1	738-040	BRUSH PLATE 4"
14	2	975-041	SPRING- TORSION
17	2	701-043	O-RING
18	2	701-009	O-RING - THRU BOLT
■	1	2889460	SEAL & ORING KIT
19	2	830-027	SCREW -SELF THREAD 10-32X2
20	2	830-094	THRU BOLT 12-24X10.31
21	2	973-025	SPACER- BRUSH PLATE
22	1	990-051	WASHER- STEEL
23	1	990-052	WASHER- NYLATRON
24	1	2316217	MOTOR ASSEMBLY 24V 4" VARS TXT 52"
	1	2316219	MOTOR ASSEMBLY 24V 4" VARS TXT 62"
	1	2326241	MOTOR ASSEMBLY 24V 4" VARS 52" SONAR
	1	2326242	MOTOR ASSEMBLY 24V 4" VARS 62" SONAR
25	1	2032007	TUBE COMP W/4 HOLE 62"
	1	2032006	TUBE COMP W/4 HOLE 52"
	1	2032005	TUBE COMP W/4 HOLE 48"
■	1	1378132	PROPELLER KIT
26	1	2331160	PROPELLER W/WEDGE 2
27	1	2091701	WASHER-PROP LARGE
28	1	2093101	NUT-PROP NYLOCK SS
29	1	2262658	PIN-DRIVE SS
■	1	2991842	MOUNT,BOW ASSEMBLY, FW 62 W/O BGRD
	1	2991841	MOUNT,BOW ASSEMBLY, FW 52 W/O BGRD
36	1	2264246	ARM UPPER-FW LONG
37	4	2293501	BUSHING, STAINLESS STEEL

ITEM	QTY	PART NUMBER	DESCRIPTION
38	2	2263500	BOLT, SHOULDER MAXXUM
39	1	2774317	ARM-LOWER ASSEMBLY,LG,FW,EXT
40	1	2263913	MOTOR REST LONG MAXXUM
41	2	2265514	DECAL-MAXXUM,MOTOR REST
42	1	2773986	BOWPLATE- FW LG MACH/INSERT
43	1	2251601	ROPE 40" MAXXUM MOUNT
44	2	2261708	WASHER-3/8X1/2X.010 SS
45	2	2267318	BEARING NYLINER-
46	2	2152610	SPRING-PIN LOCKBAR
47	1	2233600	LOCK BAR- BOW MOUNT
48	1	2233602	LOCK BAR- REAR ZINC
49	1	2152700	SPRING-LOCKBAR CAD,PLT
50	1	2262703	SPRING STOP
51	1	2153604	EYE SHAFT-2LOCKBAR LG-PLTD
52	1	2260506	HINGE-PIN HEADLESS ZINC
53	1	2293811	YOKE,MAX MNT-POLYPROPYLENE
■	1	2772087	TUBE W/BEARING RACE ASSEMBLY 34"
	1	2772086	TUBE W/BEARING RACE ASSEMBLY 24"
54	1	2272087	TUBE OUTER 34" 62
	1	2272086	TUBE OUTER 24" 48"-52"
55	1	2266260	BEARING RACE-(565T)
57	1	2267307	BUSHING, OUTER TUBE
■	1	2991763	BOWGUARD ASSEMBLY-FT CTRL,MAX 62
	1	2991762	BOWGUARD ASSEMBLY-FT CTRL,MAX 52
58	1	2772319	BRACKET BASE TOP/EYELET ASSEMBLY
59	1	2991770	BRKT BOTTOM/BEARING FW ASSEMBLY 62
	1	2991771	BRKT BOTTOM/BEARING FW ASSEMBLY 52
60	1	2772352	EYELET KIT -ROPE
61	1	2263423	SCREW 5/16-18 X 1" SHCS ZINC
62	2	2263425	SCREW 5/16-20 X 2-1/2" SHCS
63	1	2071541	SPRING-SLEEVE UPPER
64	1	2071535	SPRING SLEEVE, LOWER
65	1	2262712	SPRING, BOWGUARD, FC PAINTED
67	1	2262605	PIN- THREADED
68	2	2223100	NUT - NYLOC SS
69	2	9908236	WASHER ZN PL
■	1	2994832	BAG ASSEMBLY
*70	6	2261505	SPACER, MOTOR REST
*71	2	2263434	SCREW, 8-18 X1 PPH SS
72	1	2266000	BEARING BALL-STEEL
72A	1	2266116	BEARING, CARTRIDGE
73	1	2266001	BEARING, SPLIT RING
74	1	2261622	COLLAR HALF-PAINTED-2 PER- KIT
75	2	2263453	SCREW-1/4-20 X 3/4 SHCS SS
76	1	2280201	CONTROL BOX COVER

PARTS LIST

MAXXUM 80

80 LBS THRUST - 24 VOLT - 48"/52"/62" SHAFT

ITEM	QTY	PART NUMBER	DESCRIPTION
77	4	2372100	SCREW-8-18 X 5/8 THD
78	1	2275605	DECAL COVER, MAXXUM 80
79	1	2990140	DIRECTIONAL INDICATOR
80	1	2282730	SPRING-INDICATOR
81	3	2053414	SCREW-#8-32 X 1/2 TRI-LOBE
82	1	2267800	GEAR-INDICATOR
83	1	2301310	SCREW-8-18 X 5/8 SS
84	3	2355410	SHRINK TUBE-3/8 OD X 2-
85	1	2232360	PULLEY-CABLE DRUM
86	1	2261730	WASHER-NYLON
87	1	2996247	PINION/RACE ASSEMBLY
88	4	2223468	SCREW-8-32 X 7/16 ZN PL
89	1	2262607	PIN- CLEVIS ZN
90	1	2260805	SPRING CLIP ZN
91	1	2150400	PULL-GRIP
92	1	2151700	WASHER-EYE SHAFT .562 OD
93	1	2664496	FOOT PEDAL/PLUG ASSEMBLY
94	1	2993705	PUSH BUTTON / MAGNET ASSEMBLY
95	1	2302732	SPRING-LOWER PEDAL SS
97	1	2260810	CLIP, REED SWITCH
99	1	2280115	KNOB-SPEED CONTROL VAR
100	1	2263000	E-RING TRU-ARC#5133-43
101	1	2266413	PLATE -TENSION SCREW FTPED.
102	1	2260511	PIN-PIVOT A/T PT PDL
103	1	2774550	FT PEDAL BASE/PIN ASSEMBLY
104	1	2262301	PULLEY- FOOT PEDAL
105	4	2223430	SCREW #8X3/4 PPH TYPE 25 SS
106	1	2266400	COVER-PULLEY STAMPING
107	2	2301310	SCREW-8-18 X 1/2 SS
108	1	2264056	CONTROL BOARD ASSY 24-36V MAX
109	1	2365107	INSULATING PAD 2.3 X 3.2
111	2	2223455	SCREW, 10-32 X 1/2
112	1	2261220	WIRE HARNESS AT & MAX 82.5
113	1	2267505	CABLE ASSEMBLY-RIGHT 5'
114	1	2267515	CABLE ASSEMBLY-LEFT 5'
115	1	2265430	CABLE JACKET 5'
116	1	2265110	BOOT-CONTROL BOX
117	1	2265115	BOOT-FOOT PEDAL BASE
118	2	2372100	SCREW-8-18 X 5/8 THD SS
119	2	2261714	WASHER-MAXXUM PT PDL
120	1	2261901	BRACKET-CONDUIT AT/MAX
121	1	2263210	BRACKET-CONDUIT ADJUSTMENT
122	1	2263104	NYLOCK KEEPER
123	1	2263466	SCREW-1/4-20 X 2 STL PPH
124	1	2261233	LEADWIRE VARIABLE

ITEM	QTY	PART NUMBER	DESCRIPTION
124A	2	2307310	BEAD - FERRITE (CE MODELS ONLY)
124B	1	2075401	HEAT SHRINK 1.1" O.D. X 3.5"
125	2	2020700	TERMINAL RING, 3/8
126	1	2256300	TIE WRAP-5.5 BLACK
127	2	2263201	CLAMP WIRE HARNESS MICRO
128	1	2332103	SCREW-6-20 X 3/8 THD SS
132	1	2254031	SWITCH-MOM/OFF/CON
133	1	2266412	SWITCH PLATE, PT PEDAL
134	2	2332103	SCREW-6-20 X 3/8 THD SS
135	2	2256301	TIE WRAP-5.5 WHITE
136	1	2264511	BOTTOM PLATE, MAXXUM PT
137	5	2372100	SCREW-8 X 1/2 SS
138	1	2266610	DECAL-ON/OFF SWITCH
139	1	2282500	CONTROL BOX
140	2	2267800	GEAR-INDICATOR
141	1	2262221	INDICATOR-DRIVE
142	1	2261905	BRACKET/INDICATOR
143	1	2301310	SCREW-8-18 X 1/2 SS
144	1	2264015	LIGHT/INDICATOR
■	1	2994830	BAG ASSEMBLY-MAXXUM
*145	6	2263431	SCREW 1/4-20 X 3.5 PPH
*146	6	2261713	WASHER-1/4 FLAT S/S
*147	6	2263103	NUT-1/4-20 NYLOCK-JAM
148	4	2265126	BUMPER
149	4	2263455	SCREW #12
■	1	2991550	CLAMP COLLAR ASSEMBLY
150	1	2071550	CLAMP COLLAR "A"
151	1	2071555	CLAMP COLLAR "B"
152	1	2072621	PIN-KNURLED
153	1	2281505	KNOB-CLAMP COLLAR
155	1	2071718	WASHER #10 NYLON RETAINING
157	1	2073102	NUT - HEX 1/4 - 28 SS
158	1	2071560	COLLAR, TUBE
159	1	2211410	EXTENSION CABLE US2
160	1	2263804	STRAP - VELCRO 30.5"
200	1	2075120	URETHANE PAD
205	2	2261540	INSERT-THREADED BOWPLATE
210	2	2335400	SHRINK TUBE-1/2" OD X 2"
215	1	2375400	SHRINK TUBE-1/4" OD X 1 3/4"

■ THIS ITEM IS PART OF AN ASSEMBLY.

*THIS ITEM IS PART OF A KIT AND ONLY LISTED FOR VIEWING PURPOSES.